



OtoClear[®]

Powered by Aquabot[®]

INSTRUCTIONS FOR USE



PRODUCT OFFERING

#7270 - OtoClear/Aquabot, 20 tips

#7275 - OtoClear/Aquabot, 5 tips

CONTENTS

Getting Started	3
Aquabot Parts ID	4
Aquabot Warnings/Modes	5
OtoClear®, powered by Aquabot® Use Instructions	6
Aquabot Maintenance	8
High Level Disinfection	9
Aquabot Troubleshooting	10

Thank you for purchasing OtoClear®, powered by Aquabot®

OtoClear®, powered by Aquabot® provides a simple, yet effective, solution to patient safety, patient discomfort, and compacted cerumen removal. The key to this system is the OtoClear ear irrigation tips that are attached to the end of the wand. OtoClear ear irrigation tips direct water to the ear canal wall at 30 degree angles avoiding directly impacting the tympanic membrane.

This manual is designed to explain the proper assembly instructions for the entirety of the kit, including bottle assembly, cleaning, and tip placement.

Note: Any other use for the product outside of the intended use stated herein, Bionix shall not be held liable.

Getting Started:

Unpacking and Verifying Contents:

Before continuing, inspect the package for any damage during shipping.

If you find any damage notify your local distributor.

Next, check to ensure that your OtoClear®, powered by Aquabot® is complete.

Contents include:

- Aquabot® Bottle
- Adapter wand
- Either 20 OtoClear Tips or 5 OtoClear Tips
- Ear basin

If any item is missing please contact your distributor.

Intended Use

OtoClear®, powered by Aquabot® is intended to be used for Ear Irrigation by a medical professional.

Before you begin:

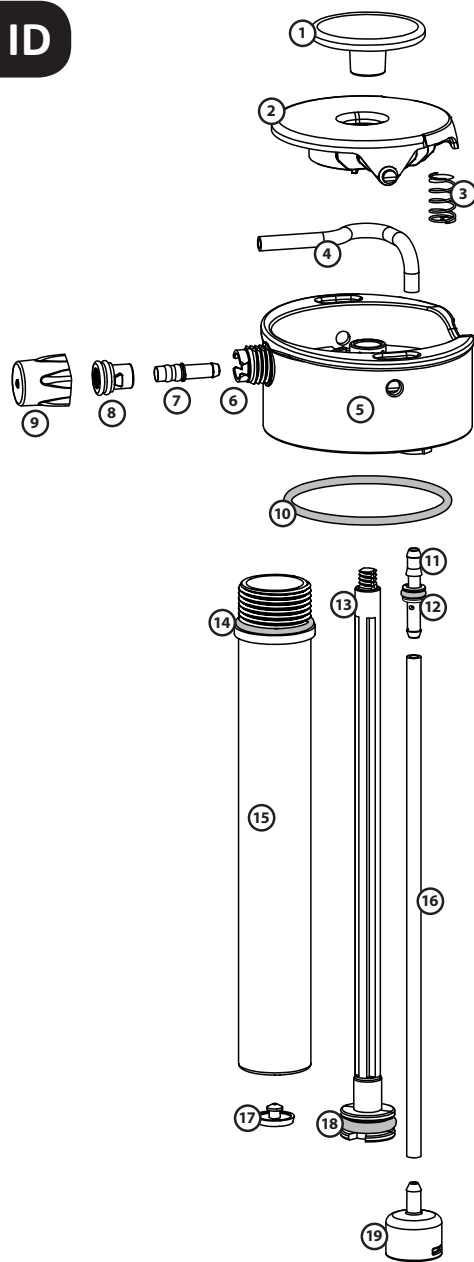
Exam the ear canal and tympanic membrane with an otoscope noting the type and location of any cerumen. Hard or impacted wax may require a cerumenolytic agent.



WARNING: DO NOT perform irrigation if the tympanic membrane is perforated or if tympanostomy tubes are present. Discontinue irrigation immediately if bleeding, irritation, or other trauma to the ear canal or tympanic membrane.

Aquabot® PARTS ID

- 1 Pump Handle
- 2 Trigger
- 3 Spring
- 4 Pinch Tube
- 5 Lid
- 6 Lid Nozzle
- 7 Nozzle Adapter
- 8 Soft Nozzle
- 9 Nozzle Cap
- 10 Lid O-ring
- 11 Draw Tube Adapter
- 12 Draw Tube O-ring
- 13 Piston Rod
- 14 Pump Barrel O-ring
- 15 Pump Barrel
- 16 Draw Tube
- 17 Umbrella Valve
- 18 Piston O-ring
- 19 Weighted Screen



! Aquabot® WARNINGS

- Do not over-pressurize the unit.
- Do not use liquids with temperatures above 120°F / 49°C.
- CHOKING HAZARD Unit contains small parts. Not suitable for children under 3 years.
- Only use lid with Aquabot bases.
- Do not use lid on any metal or glass bases.

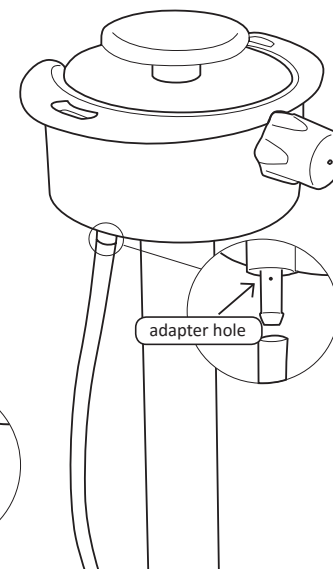
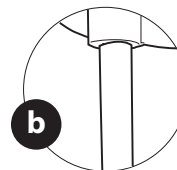
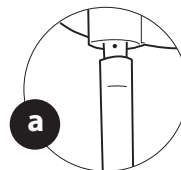
FAILURE TO READ AND FOLLOW THE ABOVE WARNINGS AND OPERATING INSTRUCTIONS COULD LEAD TO SERIOUS BODILY INJURY.

Aquabot® SPRAY MODES

Aquabot has two operating modes called **Stealth** and **Pulse**.

Stealth is ideal for drinking, misting and conserving pressure. Pulse is ideal for cleaning and conserving water.

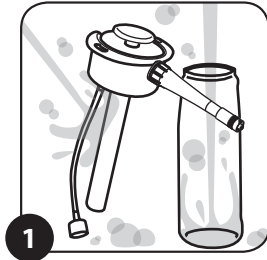
- a. Expose adapter hole to use in **Pulse** mode.
- b. Cover adapter hole to use in **Stealth** mode.



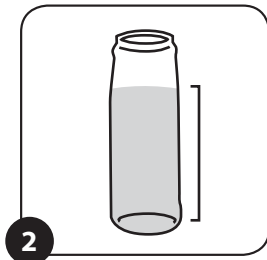
OtoClear[®], powered by Aquabot[®]

Use Instructions:

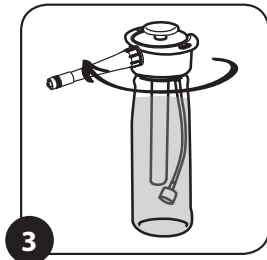
- 1** Clean by filling base half full with soapy water, twist on the lid, shake to clean and then spray soapy water through the unit. Repeat with fresh water.



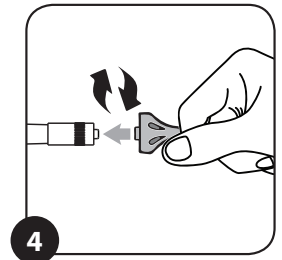
- 2** Fill base to 32 oz. mark on 1000mL bottle and 19 oz. on 650mL bottle.



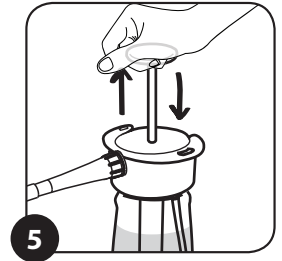
- 3** Attach Aquabot to top of bottle and close firmly by rotating clockwise.



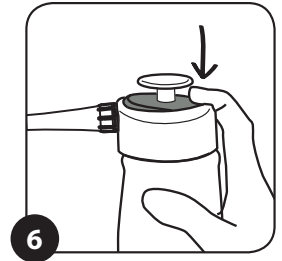
- 4** Grasp the OtoClear Tip and twist onto the luer lock fitting of the adapter until it stops.



- 5** Pump no more than 6 times. This will pressurize the unit to approximately 35 psi. Take note of the force required on the last pump and use this as a guide for when to stop pumping on future charges so that you do not over-pressurize the unit.



- 6** To release water, firmly press the colored circle on the back of the trigger.



- 7** The safest method to depressurize the unit is to hold it upside down, while keeping the weighted screen above the water line. Then press the trigger to spray out compressed air.

! WARNING: Failure to remove the OtoClear Tip runs the risk of cross contamination between patients. The tip is designed to be a single-use product.

Aquabot® MAINTENANCE

- Clean with soap and water as needed. The base is dishwasher safe for top rack only. The lid is NOT dishwasher safe.
- Do not put the unit in the freezer.
- Store out of direct sunlight.
- Do not store pressurized for more than 36 hours.
- Spray air through the unit to dry out the silicone tube before storing for long periods.
- It's a good idea to lock the trigger in the ON position when storing for long periods to keep the Pinch Tube from kinking.
- Spare parts are available on lunatecgear.com.
- Instructional videos are available on product pages at lunatecgear.com.
- For help, contact us at support@lunatecgear.com

High Level Disinfection of OtoClear®, powered by Aquabot®:

It is recommended to high level disinfect OtoClear®, powered by Aquabot® after any use where there was contact with blood, infectious material, or non-intact skin.

01. Use one of the following high level disinfecting (HLD) solutions that are compatible with OtoClear®, powered by Aquabot®:
 - Ortho-Phthalaldehyde Solution (0.55% maximum)
 - Accelerated Hydrogen Peroxide Solution (2% maximum)
 - Glutaraldehyde Solution (3.0% maximum)
02. Prepare the HLD solution per the manufacturer's instructions.
03. Remove the spray head from the bottle.
04. Ensure all water has been drained from the bottle and the spray head.
05. Fill OtoClear®, powered by Aquabot® with the HLD solution and reattach the spray head.
06. Pump OtoClear®, powered by Aquabot® until HLD solution discharges.
07. Remove the spray head and completely fill the bottle with HLD solution.
08. Reattach the spray head.
09. Allow the HLD solution to soak in OtoClear®, powered by Aquabot® per the HLD manufacturer's instructions for use.
10. After the manufacturer's recommended soak, remove the spray head from the bottle and empty the HLD solution from the bottle.
11. Thoroughly rinse the outer surfaces of the bottle and spray head with water.
12. Fill the bottle with clean rinse water and reattach the spray head.
13. Pump until half of the bottle is discharged.
14. Repeat steps 11 – 13 until the bottle has been rinsed three times.
15. Remove the spray head from the bottle.
16. Drain all water from the bottle.
17. Pump the spray head until all water is discharged.
18. Dry the outer surfaces of the bottle and spray head and leave them separated to allow complete drying.
19. To high level disinfect the ear basin, repeat steps 1 & 2 and follow the manufacturer's instructions.

Aquabot® TROUBLESHOOTING CHART

PROBLEM	REASON	SOLUTION
Unit does not build or hold pressure	Lid O-ring is missing	Replacement parts available at lunatecgear.com
	Pump Barrel is too loose	Tighten Pump Barrel
	Something else	Email support@lunatecgear.com or call 858.653.0401
Builds pressure but does not spray	Pinch Tube is kinked	Remove trigger and unkink Pinch Tube
	Something else	Email support@lunatecgear.com or call 858.653.0401
Water is getting inside of pump barrel	Umbrella Valve is not sealing	Replacement parts available at lunatecgear.com
	Pump Barrel is too loose	Tighten Pump Barrel
Water is leaking from under trigger	Pinch Tube is damaged	Replacement parts available at lunatecgear.com
	Something else	Email support@lunatecgear.com or call 858.653.0401
Water is leaking from under trigger	Soft Nozzle is missing	Replacement parts available at lunatecgear.com
	Wear and tear on Soft Nozzle	Replacement parts available at lunatecgear.com
	Something else	Email support@lunatecgear.com or call 858.653.0401
Mist is not fine	Wear and tear	Try sanding 0.5mm off the open side of the Nozzle Cap. If that doesn't work, order a new Nozzle Cap.
	Operating mode is in Pulse	Switch to Stealth mode
	Something else	Email support@lunatecgear.com or call 858.653.0401
Spray is too noisy	Operating mode is in Pulse	Switch to Stealth mode



5154 Enterprise Blvd. • Toledo, Ohio 43612

Phone: 800.551.7096 • Fax: 800.455.5678

www.Bionix.com

©2018 Bionix Development Corp. • RM95-7275 • Rev. A

*OtoClear® Tips - U.S. Patent #6,706,023 • *Aquabot® is registered under Lunatech®, used under permission of Lunatech®, Inc. All rights reserved.



Consult Instructions for Use



OtoClear Tips are Single-Use Only